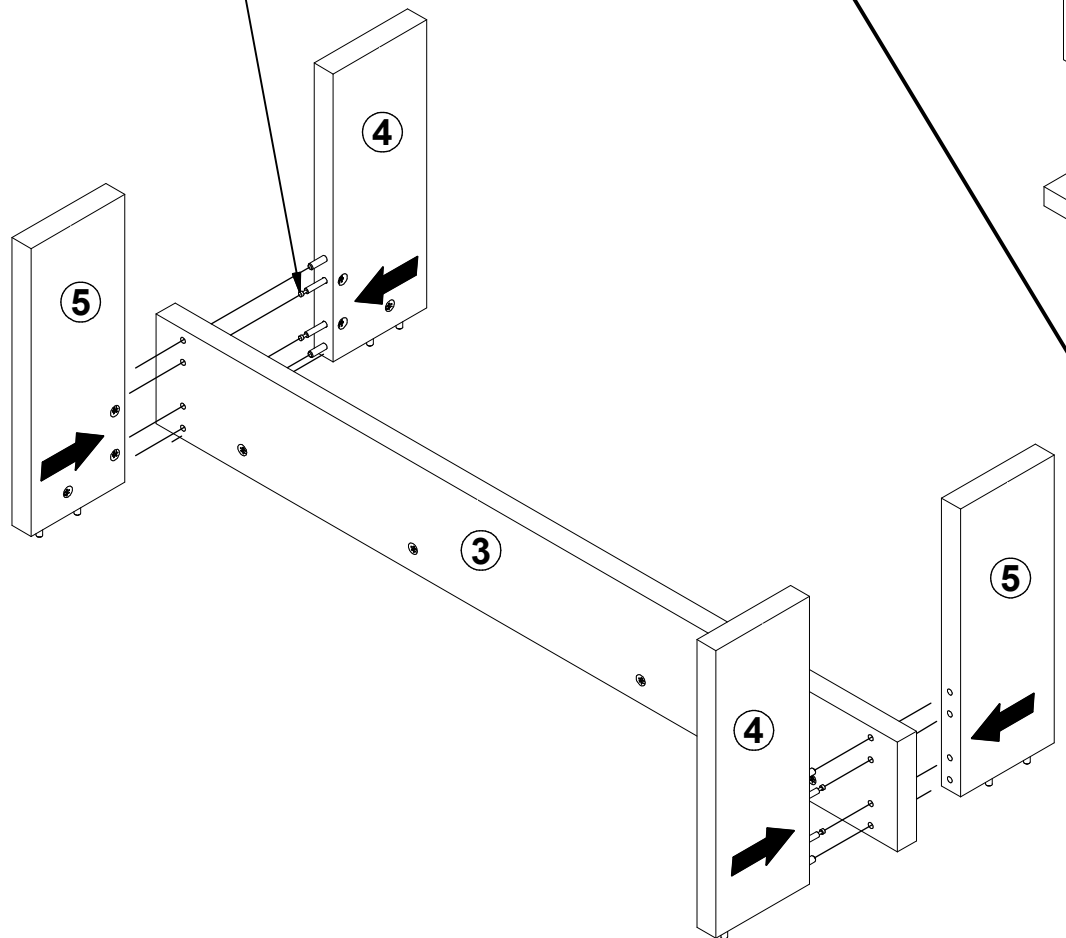
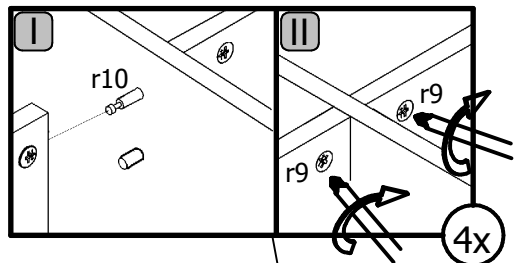
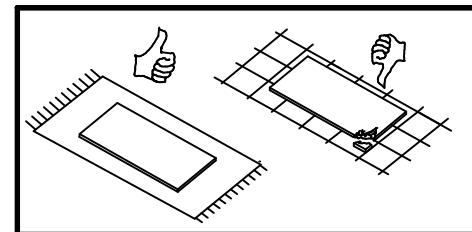
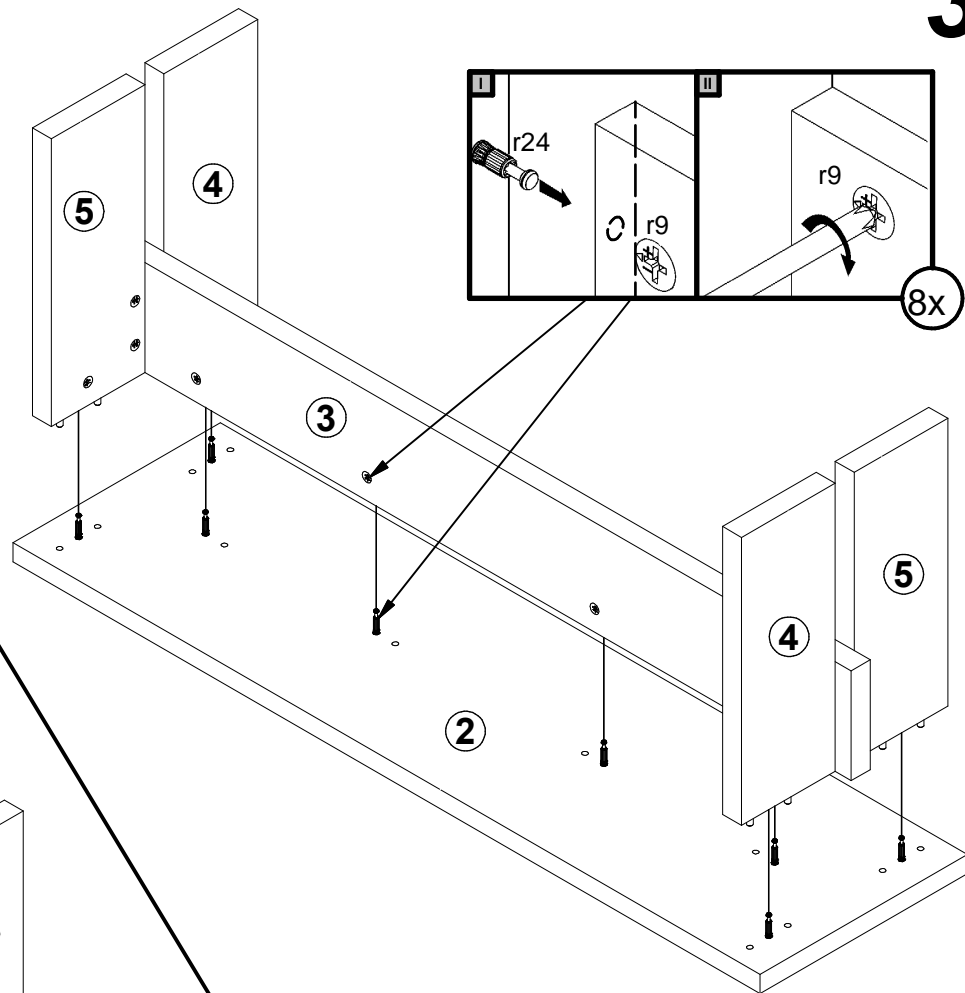
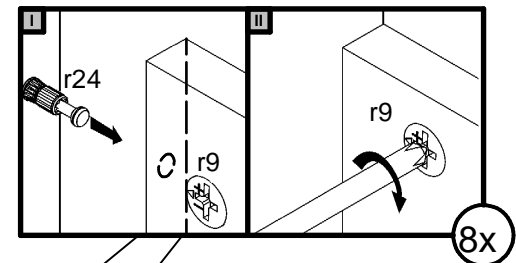


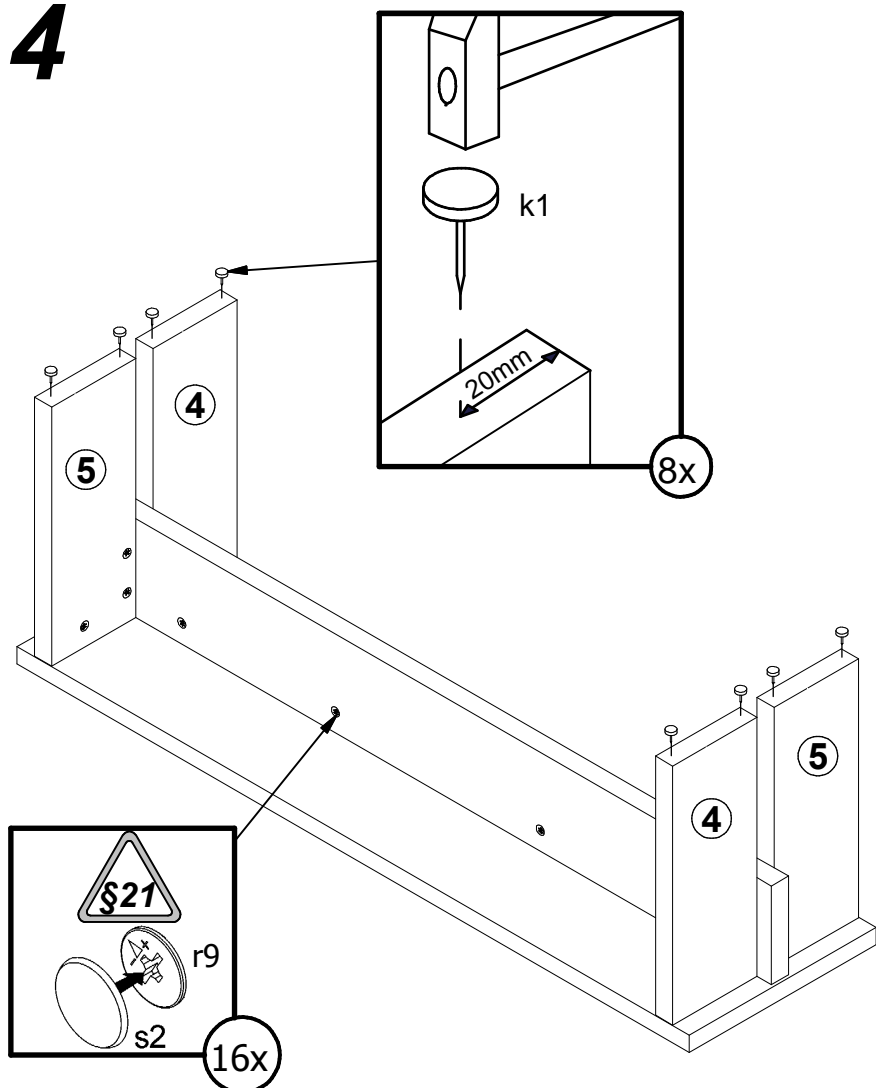
2 



3



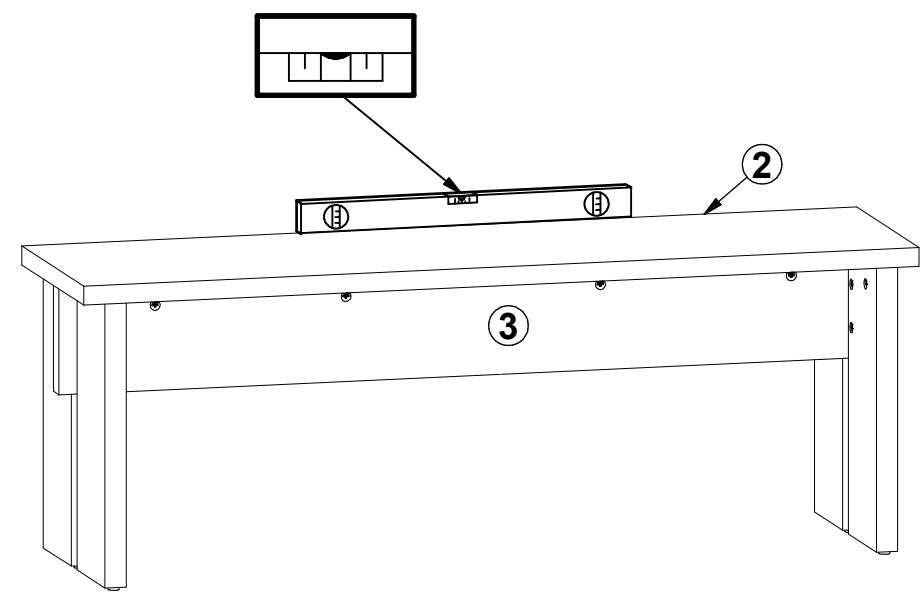
4



Warning symbol (S21), screw (r9), and washer (s2). 16x

100% COTTON

5



6

