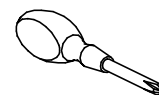
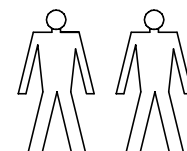
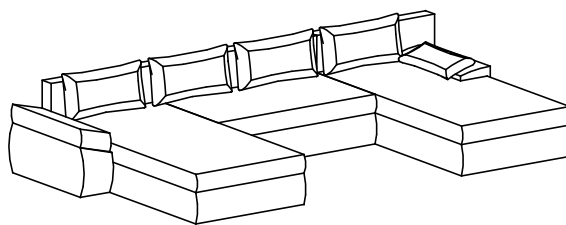
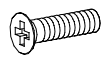
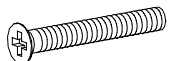
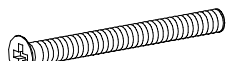
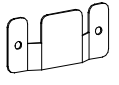

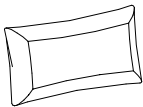

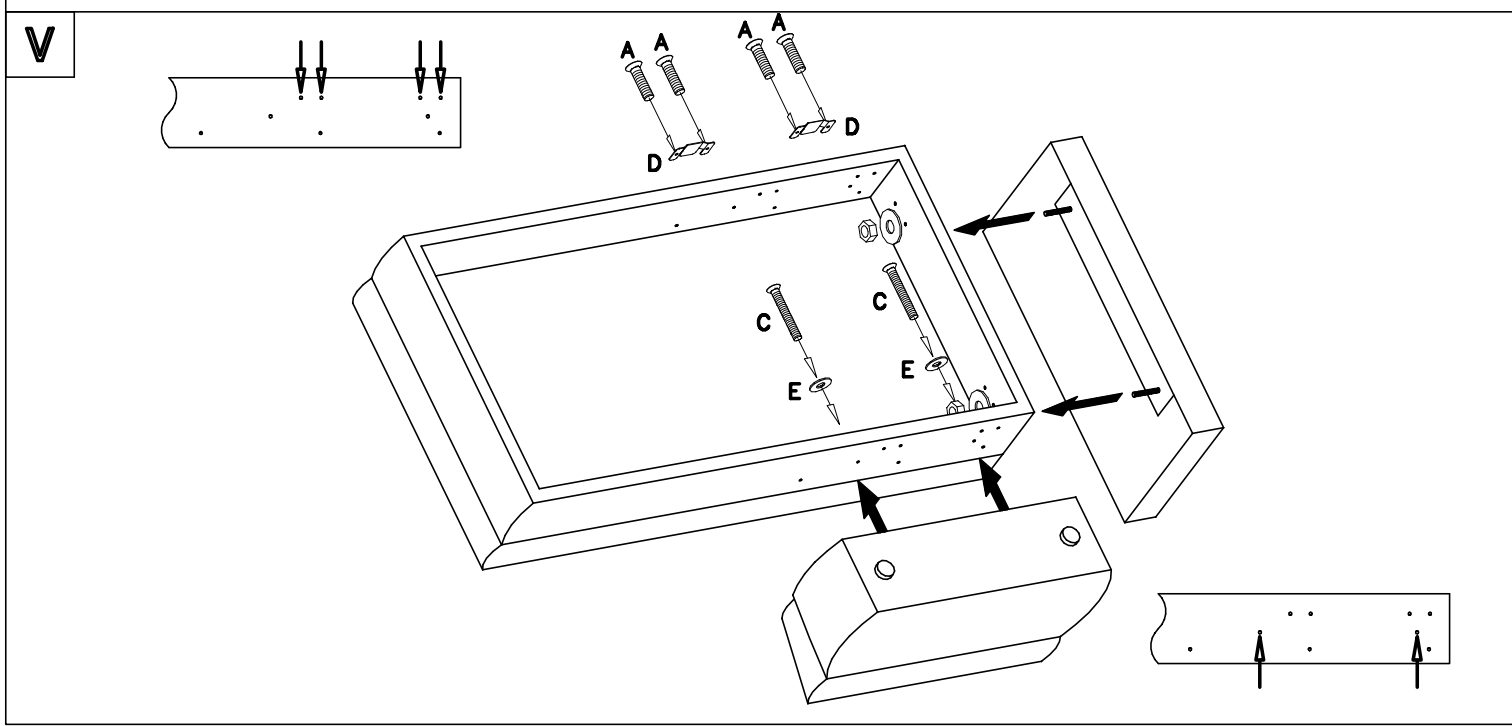
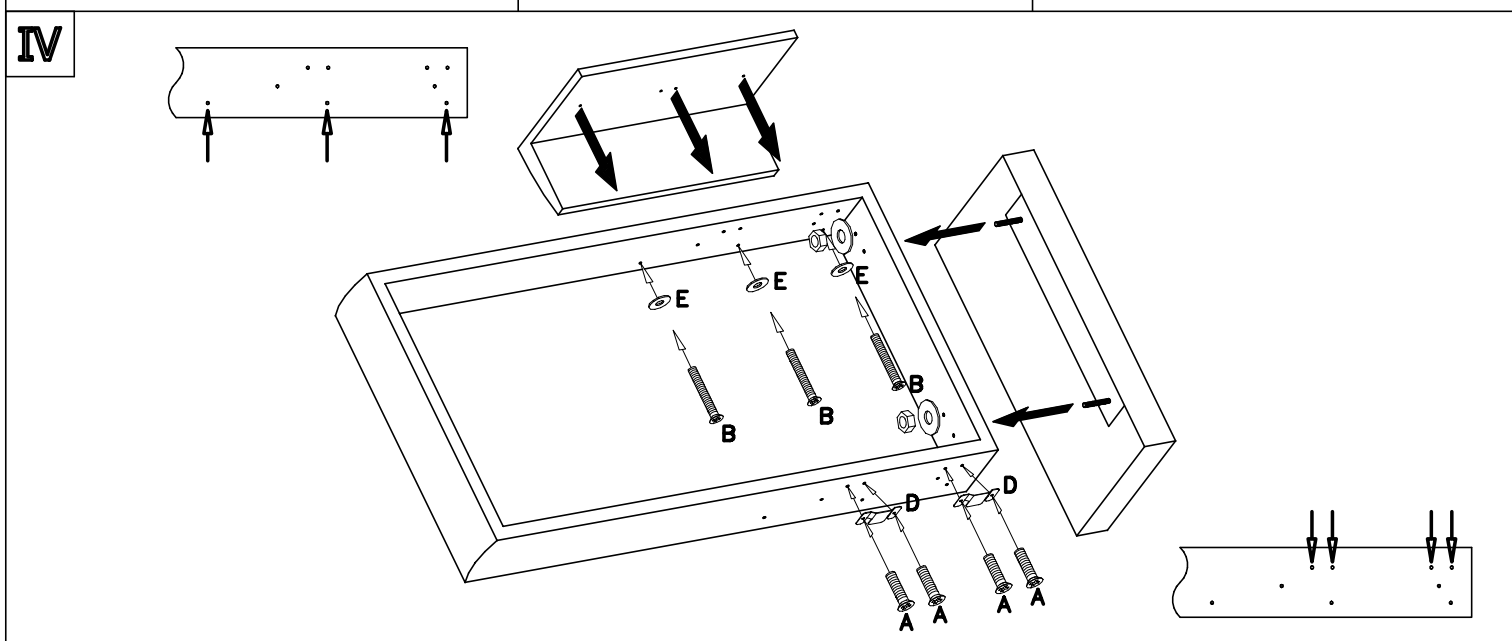
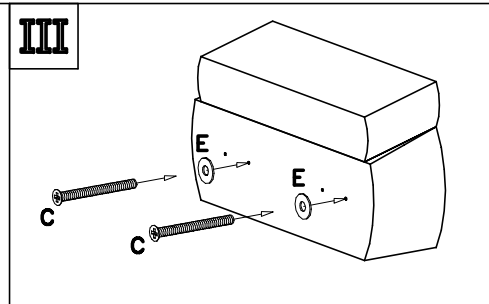
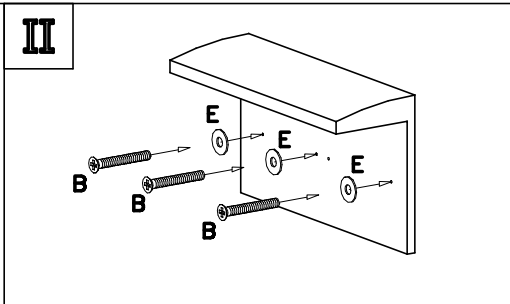
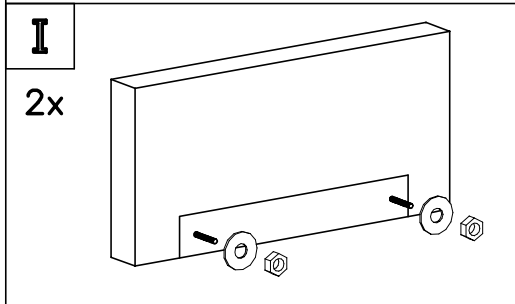


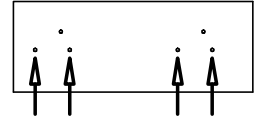
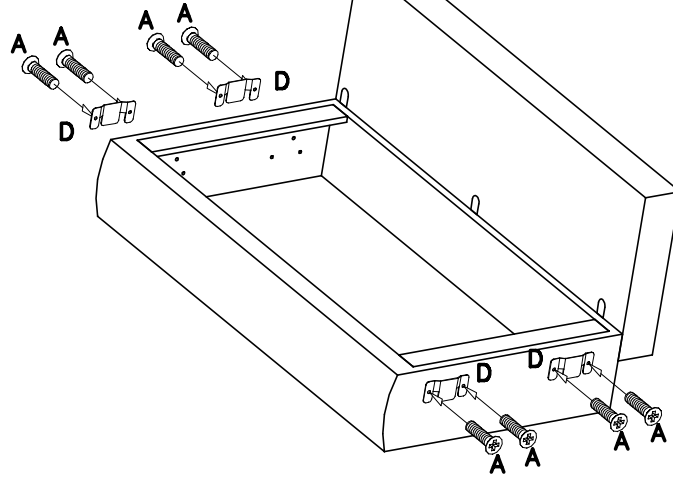
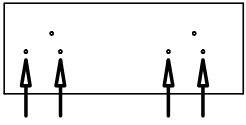
BONO MAX U FORM



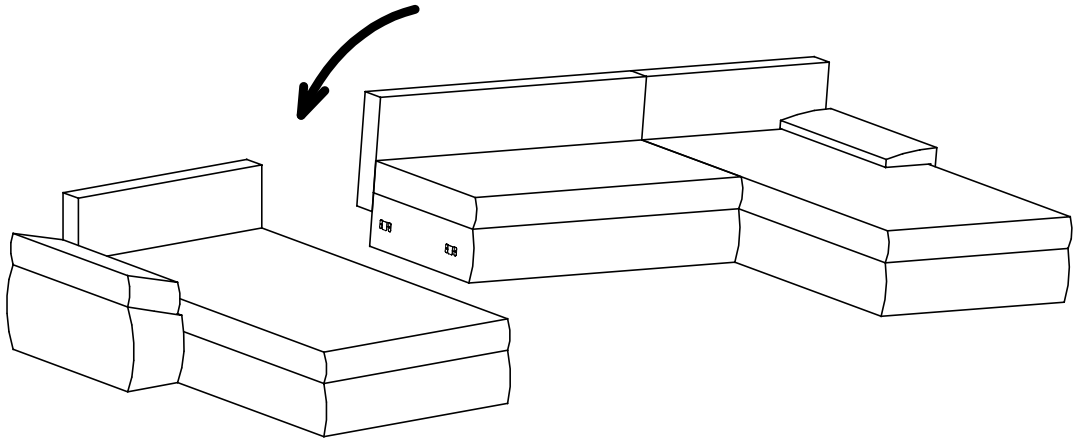
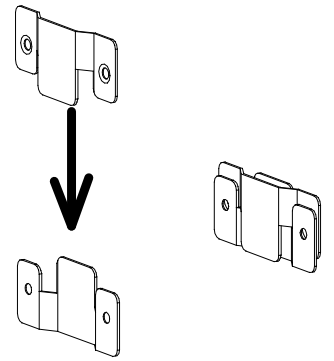
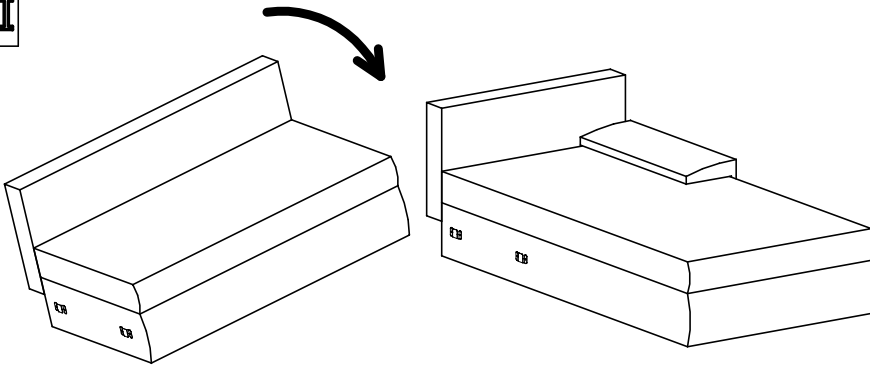
 A - 16 St. M6 x 20 mm	 B - 3 St. M8 x 40 mm	 C - 2 St. M8 x 60 mm	 D - 8 St.	 E - 5 St.	 F - 4 St.	 G - 1 St.
---	---	---	---	--	---	---



VI



VII



VIII

